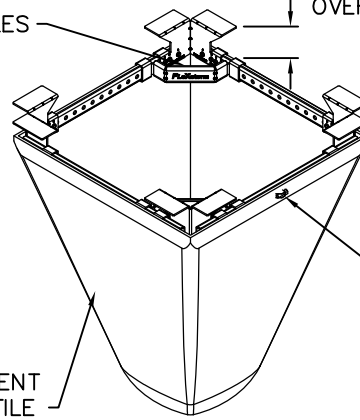
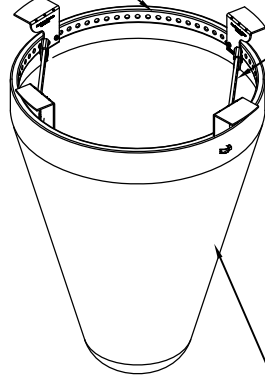


**T55 FLEXSTORM CATCH-IT INLET FILTERS**  
 PRODUCT SELECTION AND SPECIFICATION DRAWING  
 (SEE PAGE 2 OF 2 FOR SIZING SELECTION)

11 GA. GALVANIZED  
 STEEL SUSPENSION  
 SYSTEM

LIFT HANDLES

STANDARD 2"  
 OVERFLOW AREA

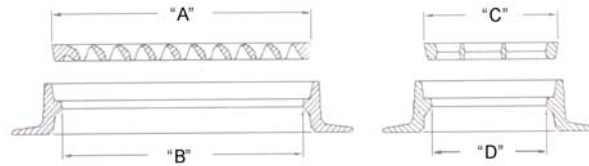
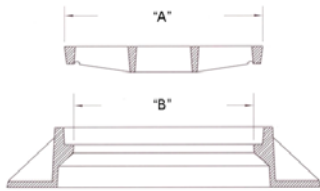


STAINLESS STEEL  
 CLAMPING BAND

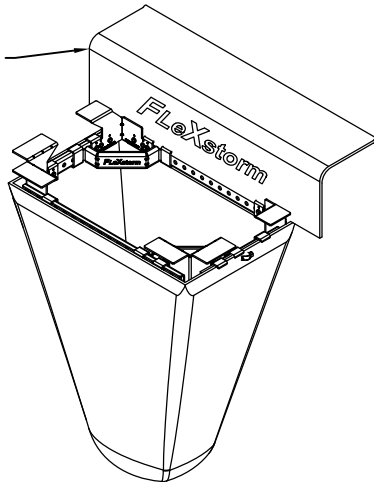
REPLACEABLE SEDIMENT  
 BAGS WITH GEOTEXTILE  
 FILTER FABRIC

**INLET FILTER**  
 TYPICAL ROUND FILTER

**INLET FILTER**  
 TYPICAL RECTANGULAR FILTER



REAR CURB GUARD  
 FLAP W/ MAGNETIC  
 TIE DOWNS



**INLET FILTER**  
 TYPICAL COMBINATION INLET  
 FILTER W/ CURB GUARD

**NOTES:**

1. ALL FRAMING IS CONSTRUCTED OF CORROSION RESISTANT STEEL (ZINC PLATED OR GALVANIZED) FOR 7 YEAR MINIMUM SERVICE LIFE.
2. UPON ORDERING CONFIRMATION OF THE DOT CALLOUT, PRECAST OR CASTING MAKE AND MODEL, OR DETAILED DIMENSIONAL FORMS MUST BE PROVIDED TO CONFIGURE AND ASSEMBLE YOUR CUSTOMIZED FLEXSTORM INLET FILTER. PART NUMBER ALONE IS NOT SUFFICIENT.
3. FOR WRITTEN SPECIFICATIONS AND MAINTENANCE GUIDELINES VISIT: [WWW.INLETFILTERS.COM](http://WWW.INLETFILTERS.COM)

ALL PRODUCTS MANUFACTURED BY INLET & PIPE PROTECTION, INC A DIVISION OF ADS, INC.  
 WWW.INLETFILTERS.COM (866) 287-8655 PH (630) 355-3477  
 FX INFO@INLETFILTERS.COM

SIZE	INLET & PIPE PROTECTION, INC. DWG NO.:	REV
C	FLEXSTORM_CATCH_IT	A

© 2014  
 CITY OF EAST LANSING

**CITY OF EAST LANSING**

DEPARTMENT OF ENGINEERING  
 410 ABBOT ROAD  
 EAST LANSING, MI 48823  
 (517) 337-9459 FAX: (517) 337-3943



PROJECT <b>STANDARD DETAILS</b>			REVISION <b>ENG. REVIEW</b>
SHEET NAME <b>FLEXSTORM CATCH-IT INLET FILTERS</b>			DATE <b>03/01/16</b>
DRAWN <b>CJM</b>	CHECKED <b>RFS</b>	APPROVED <b>RFS</b>	SCALE <b>NONE</b>
DATE <b>02/20/14</b>	DATE <b>03/14/14</b>	DATE <b>03/14/14</b>	SHEET NO. <b>1 OF 2</b>

1. IDENTIFY YOUR FRAME STYLE AND SIZE

STYLE	FRAME STYLE AND SIZE	Frame P/N:
ROUND	Small Round (up to 20.0" dia grates (A) dim)	62SRD
	Med Round (20.1" - 26.0" dia grates (A) up to 25" dia openings (B))	62MRD
	Large Round (26.1" - 32.0" dia grates (A) up to 30" openings (B))	62LRD
	XL Round (32.1" dia - 39" dia grates (A) up to 37" dia openings (B))	62XLRD
RECT/ SQUARE	Small Rect / Square (up to 16" (B) x 16" (D) openings or 64" perimeter)	62SSQ
	Med Rect / Square (up to 24" (B) x 24" (D) openings or 96" perimeter)	62MSQ
	Large Rect / Square (up to 36" (B) x 24" (D) openings or 120" perimeter)	62LSQ
	XL Rect / Square (side by side 2 pc set to fit up to 48" (B) x 36" (D) openings)	62XLSQ
COMBO INLETS	Small Rect / Square (ref Rect sizing; shipped with Magnetic Curb Flaps)	62SCB
	Med Rect / Square (ref Rect sizing; shipped with Magnetic Curb Flaps)	62MCB
	Large Rect / Square (ref Rect sizing; shipped with Magnetic Curb Flaps)	62LCB
	XL Rect / Square (ref Rect sizing; shipped with Magnetic Curb Flaps)	62XLCB
NYLOPLAST	12" diameter Nyloplast castings (Stainless Steel Framing standard)	6212NY
	15" diameter Nyloplast castings (Stainless Steel Framing standard)	6215NY
	18" diameter Nyloplast castings (Stainless Steel Framing standard)	6218NY
	24" diameter Nyloplast castings (Stainless Steel Framing standard)	6224NY
	30" diameter Nyloplast castings (Stainless Steel Framing standard)	6230NY

T55

# FLEXSTORM CATCH-IT INLET FILTERS

PRODUCT SELECTION AND  
SPECIFICATION DRAWING  
(SEE PAGE 1 OF 2 FOR  
DETAIL DRAWINGS)

2. SELECT YOUR BAG PART NUMBER

FLEXSTORM FILTER BAGS	(22" depth) STD Bag P/N	(12" depth) Short Bag P/N	Clean Water Flow Rate (GPM/SqFt)	Min A.O.S. (US Sieve)
FX: Standard Woven Bag	FX	FX-S	200	40
IL: IDOT Non-Woven Bag	IL	IL-S	145	70

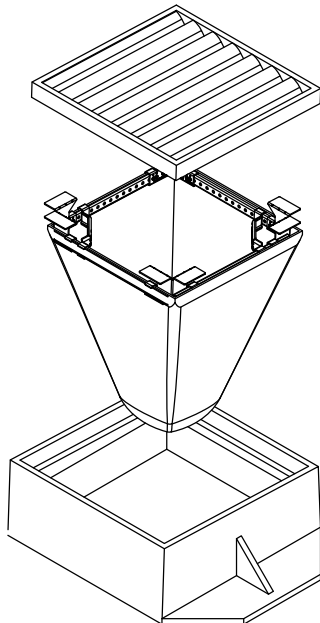
3. CREATE YOUR FLEXSTORM INLET FILTER PART NUMBER

--	--

Frame P/N from Step 1.      Filter Bag P/N from Step 2.

SPECIFICATIONS FOR STANDARD BAGS BY NOMINAL SIZE

Nominal Bag Size	Solids Storage (CuFt)	Filtered Flow Rate at 50% Max (CFS)	
		FX (Woven)	IL (NonWoven)
Small	1.6	1.2	0.9
Medium	2.1	1.7	1.3
Large	3.8	2.7	1.9
XL	4.2	3.6	2.6



INSTALLATION NOTES:

1. REMOVE GRATE
2. DROP FLEXSTORM INLET FILTER ON TO LOAD BEARING LIP OF CASTING OR CONCRETE STRUCTURE
3. REPLACE GRATE

ALL PRODUCTS MANUFACTURED  
BY INLET & PIPE PROTECTION, INC  
A DIVISION OF ADS, INC.  
WWW.INLETFILTERS.COM (866)  
287-8655 PH (630) 355-3477  
FX INFO@INLETFILTERS.COM

**INLET FILTER**  
TYPICAL INSTALLATION

SIZE C	INLET & PIPE PROTECTION, INC. DWG NO.: FLEXSTORM_CATCH_IT	REV A
-----------	--	----------

© 2014  
CITY OF EAST LANSING

**CITY OF EAST LANSING**

DEPARTMENT OF ENGINEERING  
410 ABBOT ROAD  
EAST LANSING, MI 48823  
(517) 337-9459 FAX: (517) 337-3943



PROJECT <b>STANDARD DETAILS</b>	REVISION <b>ENG. REVIEW</b>
SHEET NAME <b>FLEXSTORM CATCH-IT INLET FILTERS</b>	DATE <b>03/01/16</b>
DRAWN <b>CJM</b>	CHECKED <b>RFS</b>
APPROVED <b>RFS</b>	SCALE <b>NONE</b>
DATE <b>02/20/14</b>	DATE <b>03/14/14</b>
DATE <b>03/14/14</b>	SHEET NO. <b>2 OF 2</b>